

UMBS18-F4

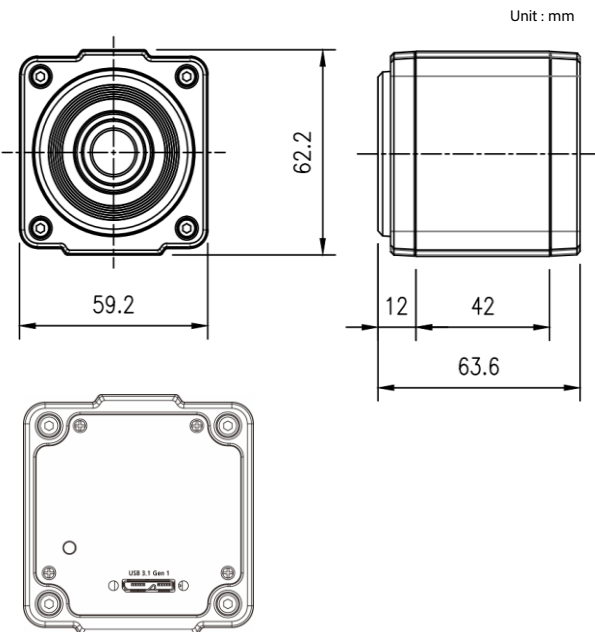
USB 3.1 Gen 1 Interface



Features

- USB 3.1 Gen 1 Interface
- 1/1.9" Sony CMOS Sensor
- Wide-angle Fixed focus Lens(f = 4.0 mm)
- Full HD Video Output up to 1080p 30fps
- Uncompressed & lossless video transmission
- Supports Video transmission, camera power supply and serial communication with one USB cable

Dimensions



UMBS18-F4	
CAMERA	
Image Sensor	1/1.9" Sony CMOS Sensor
Total Pixels	1952(H) x 1241(V) = 2.42M Pixels
Active Pixels	1937(H) x 1097(V) = 2.12M Pixels
Video Format	1080p@30/25fps, 720p@60/ 50fps, 720p@30/25fps
Min. Illumination	COLOR 0.15 lux / DSS 0.0375 lux BW 0.01 lux / DSS 0.002 lux
S/N Ratio	more than 50dB(AGC off)
Video Output	USB 3.1 Gen 1
LENS	
Lens Type	Fixed Lens 1/1.9"
Focal Length	f = 4.0 mm
Aperture Ratio	F=1.8 ± 5%
Angle Of View (D, H, V)	131°, 111°, 59° ± 5%
CAMERA FUNCTIONS	
Camera Title	ID / Title / Zoom Ratio / System Message
Day & Night	Auto / Day / Night
WDR/BLC	Off / WDR / BLC
ACE	Off / Low / Middle / High
DNR	Auto / Off / Low / Middle / High
Defog	Off / On(Auto / Manual)
HLC	Off / On / Night Only
Motion Detection	Off / On(3 positions)
Privacy Mask	Off / On(24 positions)
Digital Slow Shutter	Off / x2 / x4
Gain Control	Off / On
White Balance	Auto / One Push / Manual / Indoor / Outdoor
Shutter Speed	Auto / Manual(1/30(25) ~ 1/30,000 sec)
E.Zoom	x2 ~ x32
Digital Flip	Off / H / V / H&V
GENERAL	
Power Source	DC5V±10% (from USB 3.1 port)
Power Consumption	800mA
Operating Temperature	-10°C ~ +50°C / 0% ~ 90% RH
Dimensions	59.2(W) x 62.2(H) x 63.6(D) mm
Weight	0.23kg