

UMB108-X10

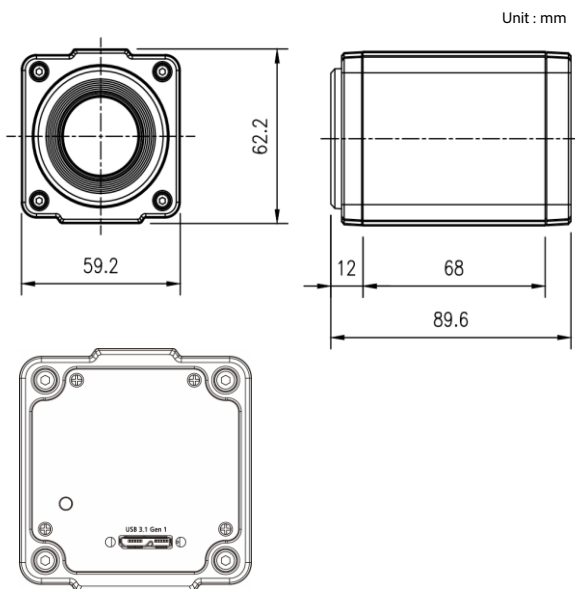
USB 3.1 Gen 1 Interface



Features

- USB 3.1 Gen 1 Interface
- 1/3" Panasonic CMOS Sensor
- 10x Optical Zoom(5.1 mm ~ 51.0 mm) & x32 Digital Zoom
- Full HD Video Output up to 1080p 30fps
- Uncompressed & Lossless video transmission
- Supports Video transmission, camera power supply and serial communication with one USB cable

Dimensions



MB-108-USB				
CAMERA				
Image Sensor	1/3" Panasonic CMOS Sensor			
Total Pixels	1981(H) x 1288(V) = 2.55M Pixels			
Active Pixels	1944(H) x 1212(V) = 2.36M Pixels			
Video Format	1080p@30/25fps, 720p@60/50fps, 720p@30/25fps			
Min. Illumination	COLOR	0.5 lux / DSS 0.125 lux		
	BW	0.1 lux / DSS 0.025 lux		
S/N Ratio	more than 50dB(AGC off)			
Video Output	USB 3.1 Gen 1			
LENS				
Lens Type	10x Day & Night Zoom Lens			
Zoom Ratio	Optical 10x, Digital x32 Zoom			
Focal Length	f = 5.1 mm ~ 51.0 mm			
Aperture Ratio	F1.6(Wide) ~ F1.8(Tele)			
Angle Of View (D, H, V)	WIDE	68°	54°	31°
	TELE	6.7°	4.9°	4.0°
CAMERA FUNCTIONS				
Camera Title	ID / Title / Zoom Ratio / System Message			
Day & Night	Auto / Day / Night			
WDR/BLC	Off / WDR / BLC			
ACE	Off / Low / Middle / High			
DNR	Auto / Off / Low / Middle / High			
Defog	Off / On(Auto / Manual)			
HLC	Off / On / Night Only			
Motion Detection	Off / On(3 positions)			
Privacy Mask	Off / On(24 positions)			
Digital Slow Shutter	Off / x2 / x4			
Gain Control	Off / On			
White Balance	Auto / One Push / Manual / Indoor / Outdoor			
Shutter Speed	1/30(25) ~ 1/30,000 sec			
E.Zoom	Off / MAX(x2 ~ x32)			
Digital Flip	Off / H / V / H&V			
GENERAL				
Power Source	DC5V±10% (from USB 3.1 port)			
Power Consumption	800mA			
Operating Temperature	-10°C ~ +50°C / 0% ~ 90% RH			
Dimensions	59.2(W) x 62.2(H) x 89.6(D) mm			
Weight	0.35kg			