

# MC-S189M3

2MP High Sensitivity 18x Zoom Module

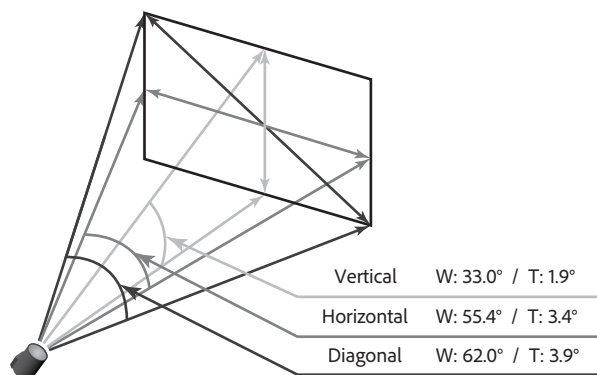
**LVDS EX-SDI CVBS**



## Features

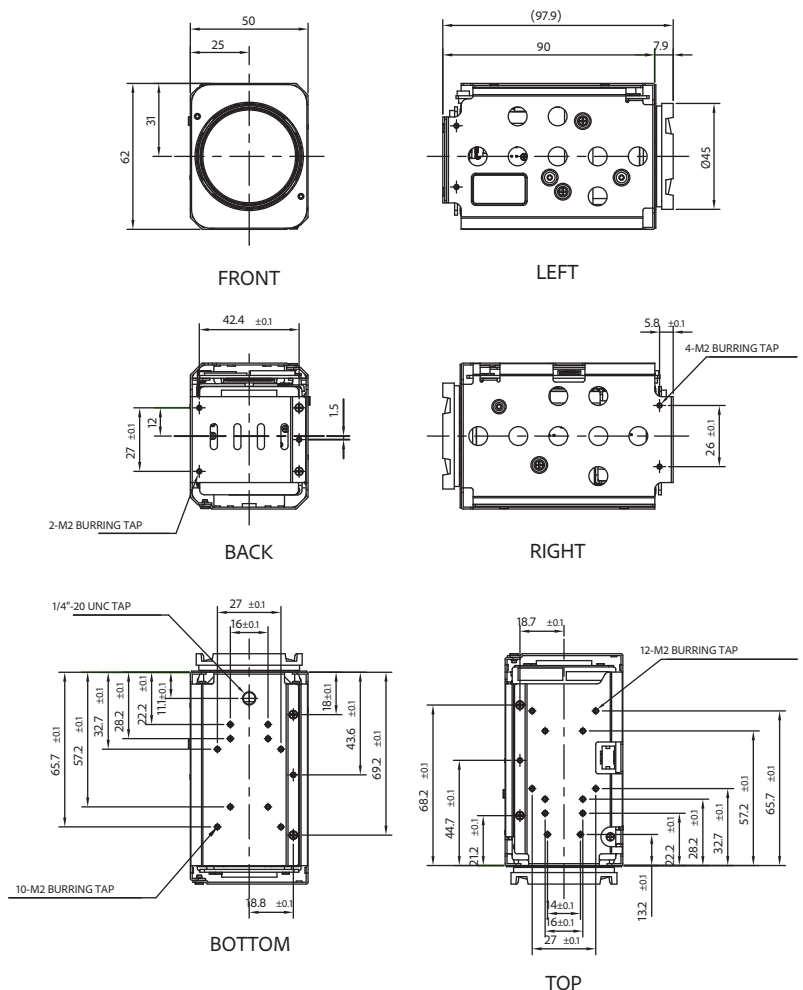
- 1/2" 2MP Sony CMOS Sensor IMX462
- 1080p 60fps/30fps, 1080i 60fps, 720p 60fps/30fps 18x & 32x Digital Zoom
- F1.61(wide) ~ 4.13(tele)
- Day & Night(ICR)
- Wide Dynamic Range
- Digital Noise Reduction(2D+3D)
- Digital Image Stabilization
- Privacy Mask Function
- High Light Compensation
- Intelligent Motion Detection
- Defog Function
- Supports VISCA, Pelco-D/P Protocol
- Video Out : LVDS, EX-SDI, CVBS

## Field of View



## Dimensions

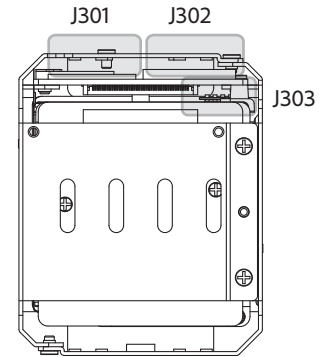
Unit : mm



# Specifications

| MC-S189                   |   |
|---------------------------|---|
| Image Sensor              | 1/2" Sony CMOS Sensor   |
| Total Pixels              | 1,952(H) x 1,113(V) = 2.17M Pixels  |
| Active Pixels             | 1,937(H) x 1,097(V) = 2.12M Pixels  |
| Scanning System           | Progressive Scan  |
| Sync. System              | Internal  |
| Resolution                | Digital : 1080p/60(50)fps, 1080i60(50)fps, 1080p/30(25)fps,<br>720p/60(50)fps, 720p/30(25)fps<br>Analog : CVBS (* Test Only)  |
| Min. Illumination         | Color(1/30s, 77.7dB) : 0.01 lux , BW(1/30s, 77.7dB) : 0.002lux<br>Color DSS(1/1s, 77.7dB) : 0.001 lux , BW DSS(1/1s, 77.7dB) : 0.0002 lux   |
| Video Output              | Digital : LVDS, EX-SDI<br>Analog : CVBS (* Test Only)   |
| S/N Ratio                 | more than 50dB(AGC off)   |
| Lens Type                 | 18x Day & Night Zoom Lens   |
| Zoom Ratio                | Optical 18x, Digital 32x Zoom   |
| Focal Length              | f = 6.8mm ~ 122.4mm   |
| Aperture Ratio            | F1.61 (wide) ~ 4.13 (tele)  |
| Angle Of View(D, H, V)    | Wide                      62.0°                      55.4°                      33.0°<br>Tele                        3.9°                        3.4°                        1.9° |
| AF Mode                   | Auto / One Push / Manual  |
| Min. Distance             | 0.5 / 1.5 / 3.0 / 5.0 / 10.0 m  |
| Lens Refresh              | One Push / 1 ~ 10Day  |
| Digital Zoom              | Off / MAX 2x ~ 32x  |
| Exposure                  | Auto / Iris.P / Shut.P / Manual   |
| Gain Control(AGC)         | 0 ~10 steps   |
| Shutter Speed             | 1/30(25) ~ 1/60,000 sec   |
| Iris                      | 0 ~ 20 steps  |
| Digital Slow Shutter(DSS) | Off / 2x / 4x / 8x / 16x / 32x / (64x : 60 or 50 fps mode only)   |
| Brightness                | 0 ~ 20 steps  |
| WDR/BLC                   | Off / WDR / BLC   |
| Day&Night                 | Auto / Day / Night / Ext-in   |
| White Balance             | Auto / One Push / Manual / Indoor / Outdoor / Auto-Ext  |
| HLC                       | Off / On / Night Only   |
| DNR                       | Auto / Off / Low / Middle / High  |
| Mirror                    | Off / H / V / H&V   |
| Sharpness                 | 0 ~ 10 steps  |
| ACE                       | Off / Low / Middle / High   |
| Defog                     | Off / On(Auto / Manual)   |
| Privacy Mask              | Max. 24 Areas   |
| Motion Detection          | Max. 3 Areas  |
| Defect Detection          | Off / On  |
| System                    | NTSC / PAL  |
| Communication             | Baud Rate : 2400 / 4800 / 9600 / 19200 / 38400 / 57600 / 115200<br>Protocol : VISCA / Pelco-D / Pelco- P / Update   |
| Language                  | English / Simplified Chinese / Traditional Chinese / Japanese   |
| Power Source              | 9V to 15V DC  |
| Power Consumption         | 490mA   |
| Power Input               | Connector   |
| Video Output              | Connector   |
| Storage Temperature       | -20 °C ~ +60 °C (Humidity : 0%RH ~ 90%RH)   |
| Operating Temperature     | -10 °C ~ +50 °C (Humidity : 0%RH ~ 90%RH)   |
| Dimensions                | 50(W) X 62(H) x 97.9(D)   |
| Weight                    | 288g  |

# Pin Assignment



| J301 |           |
|------|-----------|
| 1    | TXOUT3+   |
| 2    | TXOUT3-   |
| 3    | TXCLKOUT+ |
| 4    | TXCLKOUT- |
| 5    | TXOUT2+   |
| 6    | TXOUT2-   |
| 7    | TXOUT1+   |
| 8    | TXOUT1-   |
| 9    | TXOUT0+   |
| 10   | TXOUT0-   |
| 11   | GND       |
| 12   | TxD       |
| 13   | RxD       |
| 14   | DC IN     |
| 15   | DC IN     |
| 16   | DC IN     |
| 17   | DC IN     |
| 18   | DC IN     |
| 19   | GND       |
| 20   | GND       |
| 21   | TXOUT7+   |
| 22   | TXOUT7-   |
| 23   | TXOUT6+   |
| 24   | TXOUT6-   |
| 25   | EXSDI+    |
| 26   | EXSDI-    |
| 27   | TXOUT5+   |
| 28   | TXOUT5-   |
| 29   | TXOUT4+   |
| 30   | TXOUT4-   |

| J302 |         |
|------|---------|
| 1    | GND     |
| 2    | TxD     |
| 3    | RxD     |
| 4    | NC      |
| 5    | GND     |
| 6    | NC      |
| 7    | GND     |
| 8    | ADKEY   |
| 9    | NC      |
| 10   | D/N-IN  |
| 11   | NC      |
| 12   | MD-OUT  |
| 13   | 485-DIR |
| 14   | NC      |
| 15   | GND     |
| 16   | +5V     |
| 17   | GND     |
| 18   | VBS-OUT |
| 19   | GND     |
| 20   | DC IN   |
| 21   | DC IN   |
| 22   | DC IN   |
| 23   | DC IN   |
| 24   | DC IN   |

Ref 05002HR-24J05(YEONHO)

| J303 |         |
|------|---------|
| 1    | GND     |
| 2    | VBS-OUT |

Ref 12505WR-02(YEONHO)

Ref USL00-30L-C(KEL Cop.)

\* Design and specifications are subject to change without notice.

