

# MC-S185U

4K, 8MP Ultra High Resolution 18x Zoom Module

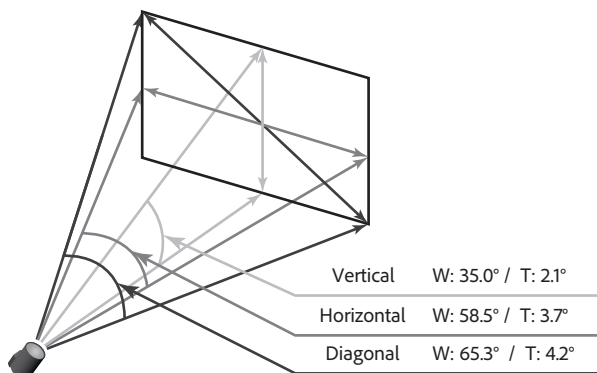
HDMI CVBS



## Features

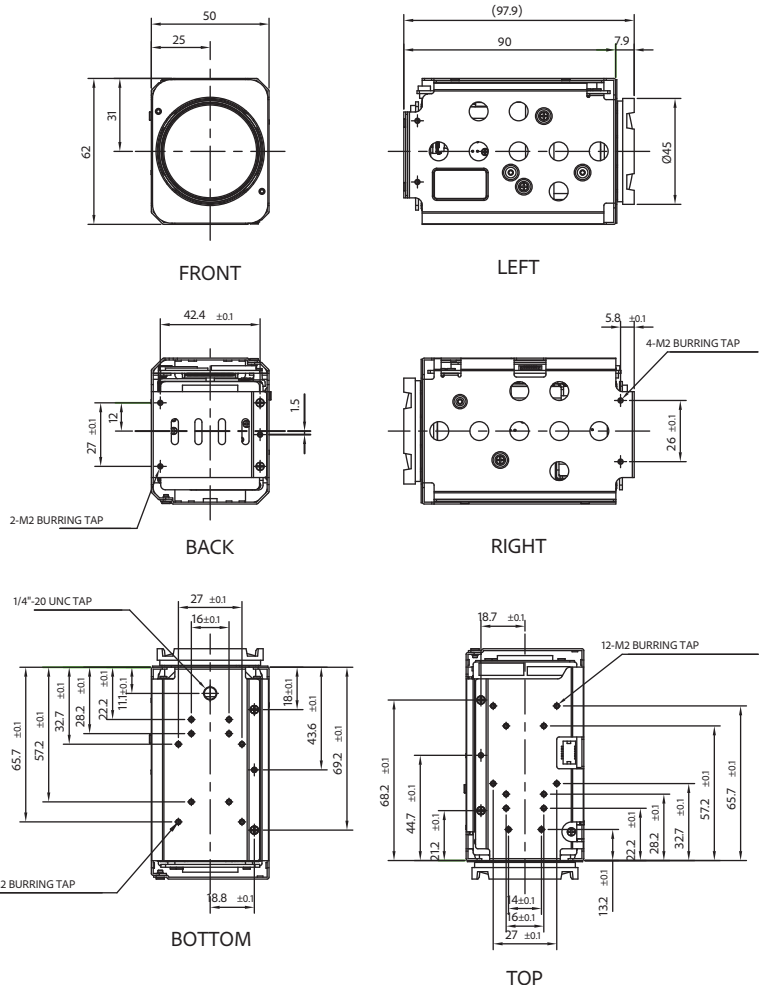
- 1/1.8" 9MP Sony CMOS Sensor
- 2160P 30fps, 1440p 30fps, 1080p 30fps, 720p 30fps
- 18x Optical Zoom(6.8mm~120mm) & 32x Digital Zoom
- F1.61(wide) ~ F4.13(tele)
- Day & Night(ICR)
- Wide Dynamic Range
- Digital Noise Reduction(2D+3D)
- Digital Image Stabilization
- Privacy Mask Function
- High Light Compensation
- Intelligent Motion Detection
- Defog Function
- Supports VISCA, Pelco-D/P Protocol
- Video Out : HDMI, CVBS

## Field of View



## Dimensions

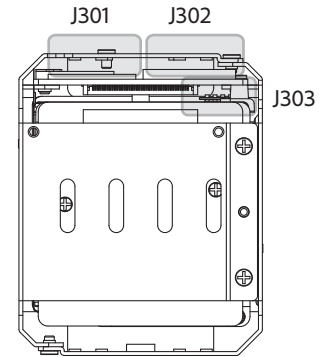
Unit : mm



# Specifications

| MC-S185U                  |   |       |       |       |
|---------------------------|---|-------|-------|-------|
| Image Sensor              | 1/1.8" Sony CMOS Sensor   |       |       |       |
| Total Pixels              | 3,952(H) x 2,320(V) = 9.17M Pixels                                  |       |       |       |
| Active Pixels             | 3,864(H) x 2,176(V) = 8.41M Pixels                                  |       |       |       |
| Scanning System           | Progressive Scan  |       |       |       |
| Sync. System              | Internal  |       |       |       |
| Resolution                | Digital : 2160p/30(25)fps, 1440p/30(25)fps,                         |       |       |       |
|                           | 1080p/30(25)fps, 720p/30(25)fps                                     |       |       |       |
|                           | Analog : CVBS   |       |       |       |
| Min. Illumination         | Color(1/30s, 72dB) : 0.012lux, BW(1/30s, 72dB) : 0.0019lux          |       |       |       |
|                           | Color DSS(1/1s, 72dB) : 0.0012lux, BW DSS(1/1s, 72dB) : 0.00019lux  |       |       |       |
| Video Output              | Digital : HDMI  |       |       |       |
|                           | Analog SD : CVBS  |       |       |       |
| S/N Ratio                 | more than 50dB (AGC off)  |       |       |       |
| Lens Type                 | 18x Day & Night Zoom Lens   |       |       |       |
| Zoom Ratio                | Optical 18x, Digital 32x Zoom                                       |       |       |       |
| Focal Length              | f = 6.8mm ~ 120.0mm   |       |       |       |
| Aperture Ratio            | F1.61 (wide) ~ F4.13 (tele)   |       |       |       |
| Angle Of View(D, H, V)    | Wide  | 65.3° | 58.5° | 35.0° |
|                           | Tele  | 4.2°  | 3.7°  | 2.1°  |
| AF Mode                   | Auto / One Push / Manual  |       |       |       |
| Min. Distance             | 0.5 / 1.5 / 3.0 / 5.0 / 10.0 m                                      |       |       |       |
| Lens Refresh              | One Push / 1 ~ 10Days   |       |       |       |
| Digital Zoom              | Off / MAX 2x ~ 32x  |       |       |       |
| Exposure                  | AUTO / IRIS.P / SHUT.P / MANUAL                                     |       |       |       |
| Gain Control(AGC)         | 0 ~ 10 steps  |       |       |       |
| Shutter Speed             | 1/1 ~ 1/60,000 sec  |       |       |       |
| Iris                      | Close ~ F1.6  |       |       |       |
| Digital Slow Shutter(DSS) | Off / 2x / 4x / 8x / 16x / 32x                                      |       |       |       |
| Brightness                | 0 ~ 14 steps  |       |       |       |
| BACK LIGHT                | Off / BLC / HLC   |       |       |       |
| Day&Night                 | Auto / Day / Night / Ext-in   |       |       |       |
| White Balance             | Auto / One Push / Manual / Indoor / Outdoor / Auto-Ext              |       |       |       |
| DNR                       | 2D/3D, 2D+3D  |       |       |       |
| Mirror                    | Off / H / V / H&V   |       |       |       |
| Sharpness                 | 0 ~ 15 steps  |       |       |       |
| Defog                     | Off / Manual / Auto   |       |       |       |
| Privacy Mask              | Off / On (8 points)   |       |       |       |
| Motion Detection          | Off / On (4 points)   |       |       |       |
| Defect Detection          | Off / On  |       |       |       |
| System                    | NTSC / PAL  |       |       |       |
| Communication             | Baud Rate : 2400 / 4800 / 9600 / 19200 / 38400 / 57600 / 115200 bps |       |       |       |
|                           | Protocol : Pelco-P / Pelco-D / VISCA                                |       |       |       |
| Power Source              | 9V to 15V DC  |       |       |       |
| Power Consumption         | Max 530mA (@ 12VDC)   |       |       |       |
| Power Input               | Connector   |       |       |       |
| Video Output              | Connector   |       |       |       |
| Storage Temperature       | -20℃ ~ +60℃ (Humidity : 0%RH ~ 90%RH)                               |       |       |       |
| Operating Temperature     | -10℃ ~ +50℃ (Humidity : 0%RH ~ 90%RH)                               |       |       |       |
| Dimensions                | 50(W) X 62(H) x 97.9(D)   |       |       |       |
| Weight                    | 293g  |       |       |       |

# Pin Assignment



| J301 |                 |
|------|-----------------|
| 1    | GND             |
| 2    | TMDS Clock -    |
| 3    | TMDS Clock +    |
| 4    | GND             |
| 5    | TMDS Data 0 -   |
| 6    | TMDS Data 0 +   |
| 7    | GND             |
| 8    | TMDS Data 1 -   |
| 9    | TMDS Data 1 +   |
| 10   | GND             |
| 11   | TMDS Data 2 -   |
| 12   | TMDS Data 2 +   |
| 13   | GND             |
| 14   | NC              |
| 15   | NC              |
| 16   | NC              |
| 17   | Hot Plug Detect |
| 18   | +5V Power       |
| 19   | USB_VBUS        |
| 20   | GND             |
| 21   | USB_D-          |
| 22   | USB_D+          |
| 23   | GND             |
| 24   | RxD             |
| 25   | TxD             |
| 26   | RESET           |
| 27   | DC IN           |
| 28   | DC IN           |
| 29   | DC IN           |
| 30   | DC IN           |

| J302 |          |
|------|----------|
| 1    | GND      |
| 2    | TxD      |
| 3    | RxD      |
| 4    | NC       |
| 5    | GND      |
| 6    | NC       |
| 7    | GND      |
| 8    | ADKEY    |
| 9    | NC       |
| 10   | D/N-IN   |
| 11   | NC       |
| 12   | MD-OUT   |
| 13   | 485-DIR  |
| 14   | NC       |
| 15   | GND      |
| 16   | +5V      |
| 17   | GND      |
| 18   | CVBS-OUT |
| 19   | GND      |
| 20   | DC IN    |
| 21   | DC IN    |
| 22   | DC IN    |
| 23   | DC IN    |
| 24   | DC IN    |

Ref 05002HR-24J05 (YEONHO)

| J303 |          |
|------|----------|
| 1    | GND      |
| 2    | CVBS-OUT |

Ref 12505WR-02 (YEONHO)

Ref USL00-30L-C (KEL Cop.)

\* Design and specifications are subject to change without notice.

