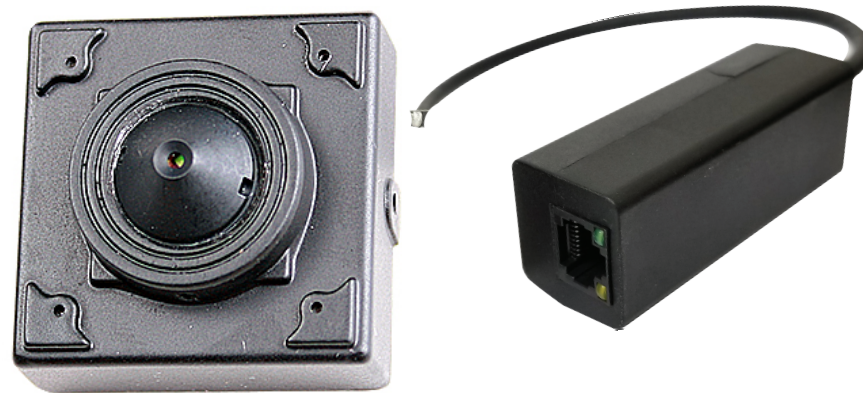


IMS230-P2

2MP IP H.264 True WDR Mini Square Camera with P2 Supercone Pinhole Lens

- 1/2.8" 2.9µm Pixel Progressive Sony Starvis CMOS Sensor
- 2 Mega Pixels - Maximum 1080p (1920x1080)
- 4.3mm Supercone Pinhole Lens
- WDR, DSS(Sens-up), 3DNR Supported
- Onvif Version 17.06 Compatible
- Supported Video Codec: H.264, MJPEG
- Box Miniature Housing(30x30mm) with U type swivel bracket
- Motion Detection (4 Zones)
- PoE Cable
- Made In Korea
- NDAA Compliant

*Lens and Cable can be customized upon request



Lens Option

IMS230-P2	4.3mm
-----------	-------





IP Network Camera

2MP IP H.264 WDR Mini Square

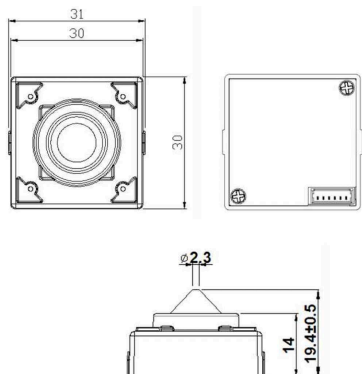


IMS230-P2

2MP IP H.264 True WDR Mini Square Camera with P2 Supercone Pinhole Lens

- 1/2.8" 2.9µm Pixel Progressive Sony Starvis CMOS Sensor
- 2 Mega Pixels - Maximum 1080p (1920x1080)
- 4.3mm Supercone Pinhole Lens
- WDR, DSS(Sens-up), 3DNR Supported
- Onvif Version 17.06 Compatible
- Supported Video Codec: H.264, MJPEG
- Box Miniature Housing(30x30mm) with U type swivel bracket
- Motion Detection (4 Zones)
- PoE Cable
- Made In Korea
- NDAA Compliant

General Feature Diagram (mm)



Technical Specification

Image	Image Sensor	1/2.8"(D-6.46mm) 2.12M Sony CMOS Sensor
	Size	1/2.8 inch
	Scan System	Progressive Scan
	Total Pixels	1945(H) X 1109(V), 2.16 Mega Pixels
	Effective Pixels	1945(H) X 1097(V), 2.12 Mega Pixels
Function	Day / Night	Auto / Day(Color) / Night(BW)
	Privacy Area	On / Off (8 Programmable Zones)
	Motion Detection	4 Zone
	WDR	Off, On(Low, Middle, High) - 15(12) or 30(25) Output WDR can't work together with 3D-NR or DSS
	DNR	Off, On(Low, Middle, High) - 30(25) or 60(50) Output DNR can't work together with WDR or DSS
	Defog	Detects Foggy, On / Off
	Ext. Video	CVBS 1.0Vp-p (75Ω)
	Elec. Shutter	1/25(30)~1/30,000sec
	Color Adjust	Bright/ Contrast / Saturation / Sharp / Hue
	White Balance	Auto, Autoext, Preset, Manual
	OSD Display	Text, Date, Time, Event, On / Off
	Image Mirror	Normal / Mirror(H) / Flip(V) / Both(HV)
	Electrical	Power Supply
Current		Less than 2.1 Watts (170mA)
Environmental	Temperature	-10°C – 55°C (Humidity :0%RH - 90%RH)
Physical Spec	Dimension	30(W) x 30(D) (without Bracket)
Video	Compress Format	H.264, MJPEG (Duplex Streaming)
	Resolution	Up to 30fps @ 1920x1080p (1920x1080, 1280x720, 800x600, 704x480, 704x400, 640x480, 640x360, 320x240)
	Max. Frame Rate	30fps @ all resolution
	Video Quality	H.264: Bitrate Control, MJPEG: Quality Level Control
	Streaming	Triple Stream (Stream1,2,3), RTP/RTSP, Unicast RTP, Multicast RTP
Audio	Compress Format	G.711 u-law
	Streaming	Two-way
Event	Sensor In / Alarm Out	Sensor In: 1 (NC / NO), Alarm Out: 1 (Digital Output, Open Collector)
Network	Interface	RJ45 10/100 Base-T PoE
	Protocol	TCP/IP, UDP/IP, RTP, RTSP, RTCP, NTP, HTTP, DHCP, FTP, SMTP, DNS, DDNS, Onvif 17.06 Compatible
	Onvif	Yes
	DDNS	iplinker.net
	At-a-time Access	Maximum 3 users
	Web Browser	OS: Windows 7,8,10, MAC / Manager: Internet Explorer 11 or higher, Chrome, Firefox, Safari, Opera

* Specification and Design are subject to change without notice due to product improvement.



Infinite Pixels Electronic USA Inc.
11500 S. Eastern Ave. Suite 150 Henderson NV 89052