

# IMB219-F6

## 2MP IP True WDR Mini Bullet Camera with Board Lens

- 1/2.8" 2.9µm Pixel Progressive Sony Starvis CMOS Sensor
- 2MP (1920 X 1080) Max. 30fps
- 19Ømm Bullet Miniature
- 6.0mm Fixed Board Lens (Lens Options are Available)
- WDR, DSS(Sens-up), 3DNR Supported
- Onvif Ver. 17.06 Compatible
- Supported Video Codec: H.264, MJPEG
- Built-in POE Cable
- IR Cut Filter
- Optional Ring Mount
- PoE Cable
- Made in Korea
- NDAA Compliant

\*Lens and cable can be customized up on request

### Lens Option

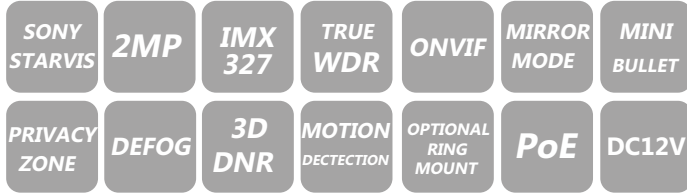
IMB219-F2.5	2.5mm
IMB219-F2.8	2.8mm
IMB219-F3.6	3.6mm
IMB219-F4	4.0mm
IMB219-F6	6.0mm
IMB219-F8	8.0mm
IMB219-F12	12.0mm
IMB219-F16	16.0mm
IMB219-F25	25.0mm





# IP Network Camera

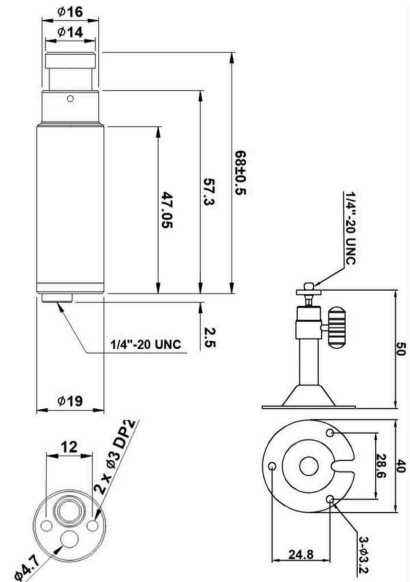
## 2MP IP Starlight WDR Mini Bullet



# IMB219-F6

## 2MP IP True WDR Mini Bullet Camera with Board Lens

### General Feature Diagram (mm)



### Technical Specification

<b>Image</b>	Image Sensor	1/2.8"(D-6.46mm) 2.12M Sony CMOS Sensor
	Size	1/2.8 inch
	Sensitivity	0.1Lux, 0.003Lux (DSS on)
	Total Pixels	2.16MP [1,945(H)x1,109(V)]
	Effective Pixels	2.12MP [1,937(H)x1,097(V)]
<b>Function</b>	Day & Night	Auto / Day(Color) / Night(BW), ICR Control
	Privacy Area	On/Off (16 Programmable Zones)
	Motion Detection	432 Zone, Sensitivity 1~5 Step, On/Off
	Ext. Video	CVBS 1.0Vp-p, (75 $\Omega$ )
	WDR	True WDR, On/Off
	DNR	2D DNR, 3D DNR - HDR
	Defog	Detects Foggy, On/Off
	Elec. Shutter	1/25(30)~1/30,000sec
	Color Adjust	Bright / Contrast / Saturation / Sharp / Hue
	White Balance	Auto(Indoor) / Auto(Outdoor) / Push / User
	OSD Display	Via Webpage Viewer
	Image Mirror	Normal / Mirror(H) / Flip(V) / Both(HV)
<b>Electrical</b>	Power Supply	Less than 1.6 Watts (130mA)
<b>Environmental</b>	Temperature	Working Temp: 32°F ~ 122°F (0°C ~ +50°C) / Preservation Temp: 14°F ~ 140°F (-10°C ~ +60°C)
<b>Network</b>	Interface	RJ45 10/100 Base-T PoE
	Protocol	TCP/IP, UDP/IP, RTP, RTSP, RTCP, NTP, HTTP, DHCP, FTP, SMTP, DNS, DDNS, Onvif 17.06 Compatible
	Onvif	The Latest Version
	Simultaneous Access	Max. 3 Users
	FTP Uploading	MJPEG Still Image
<b>Video</b>	Video Compression	H.264 (High, Main, Base Line Profile), MJPEG
	Resolutions	1920x1080/1280x1024/1280x960/1280x720/1024x768/640x480/320x240
	Frame Rate	30fps @ All Resolution
	Video Streaming	Simultaneously H.264 and MJPEG, Independent Frame Rate and Bandwidth Control, VBR/CBR Mode
	Video Quality	H.264: Bitrate Control / MJPEG: Quality Level Control
<b>Software</b>	Client Software	Built-in Web, Onvif Compatible 3rd Party VMS
<b>Web Browser</b>	OS / Manager / Viewer	OS: Windows7,8,10, MAC / Manager: Internet Explorer 11 or higher, Chrome, Firefox, Safari, Opera
<b>Event</b>	In / Out	In: Trigger / Network Loss / Tampering / Motion, Out: FTP
<b>System</b>	OS	Embedded Linux
<b>Physical Spec</b>	Dimension	19 $\phi$ (Bullet Diameter) x 70.5(L)
	Lens	6.0mm (Options are Available)
	Mount	Optional Ring Mount

\* Specification and Design are subject to change without notice due to product improvement.



Infinite Pixels Electronic USA Inc.  
11500 S. Eastern Ave. Suite 150 Henderson NV 89052

www.ipxusa.com sales@ipxusa.com