

IMB219-F12

2MP IP True WDR Mini Bullet Camera with Board Lens

- 1/2.8" 2.9µm Pixel Progressive Sony Starvis CMOS Sensor
- 2MP (1920 X 1080) Max. 30fps
- 19Ømm Bullet Miniature
- 12.0mm Fixed Board Lens (Lens Options are Available)
- WDR, DSS(Sens-up), 3DNR Supported
- Onvif Ver. 17.06 Compatible
- Supported Video Codec: H.264, MJPEG
- Built-in POE Cable
- IR Cut Filter
- Optional Ring Mount
- PoE Cable
- Made In Korea
- NDAA Compliant

*Lens and cable can be customized up on request

Lens Option

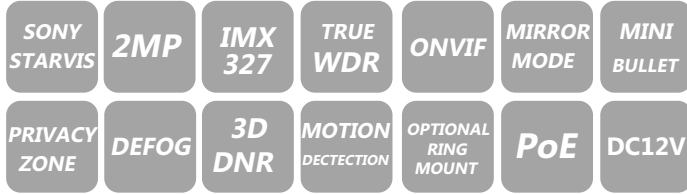
| | |
|-------------|--------|
| IMB219-F2.5 | 2.5mm |
| IMB219-F2.8 | 2.8mm |
| IMB219-F3.6 | 3.6mm |
| IMB219-F4 | 4.0mm |
| IMB219-F6 | 6.0mm |
| IMB219-F8 | 8.0mm |
| IMB219-F12 | 12.0mm |
| IMB219-F16 | 16.0mm |
| IMB219-F25 | 25.0mm |





IP Network Camera

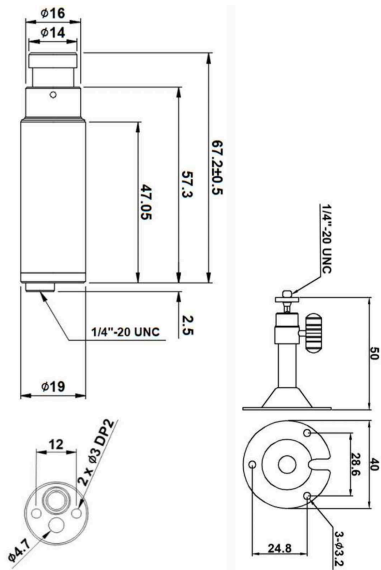
2MP IP Starlight WDR Mini Bullet



IMB219-F12

2MP IP True WDR Mini Bullet Camera with Board Lens

General Feature Diagram (mm)



Technical Specification

| | | |
|----------------------|-----------------------|--|
| Image | Image Sensor | 1/2.8"(D-6.46mm) 2.12M Sony CMOS Sensor |
| | Size | 1/2.8 inch |
| | Sensitivity | 0.1Lux, 0.003Lux (DSS on) |
| | Total Pixels | 2.16MP [1,945(H)x1,109(V)] |
| | Effective Pixels | 2.12MP [1,937(H)x1,097(V)] |
| Function | Day & Night | Auto / Day(Color) / Night(BW), ICR Control |
| | Privacy Area | On/Off (16 Programmable Zones) |
| | Motion Detection | 432 Zone, Sensitivity 1~5 Step, On/Off |
| | Ext. Video | CVBS 1.0Vp-p, (75Ω) |
| | WDR | True WDR, On/Off |
| | DNR | 2D DNR, 3D DNR - HDR |
| | Defog | Detects Foggy, On/Off |
| | Elec. Shutter | 1/25(30)~1/30,000sec |
| | Color Adjust | Bright / Contrast / Saturation / Sharp / Hue |
| | White Balance | Auto(Indoor) / Auto(Outdoor) / Push / User |
| | OSD Display | Via Webpage Viewer |
| | Image Mirror | Normal / Mirror(H) / Flip(V) / Both(HV) |
| Electrical | Power Supply | Less than 1.6 Watts (130mA) |
| Environmental | Temperature | Working Temp: 32°F ~ 122°F (0°C ~ +50°C) / Preservation Temp: 14°F ~ 140°F (-10°C ~ +60°C) |
| Network | Interface | RJ45 10/100 Base-T PoE |
| | Protocol | TCP/IP, UDP/IP, RTP, RTSP, RTCP, NTP, HTTP, DHCP, FTP, SMTP, DNS, DDNS, Onvif 17.06 Compatible |
| | Onvif | The Latest Version |
| | Simultaneous Access | Max. 3 Users |
| | FTP Uploading | MJPEG Still Image |
| Video | Video Compression | H.264 (High, Main, Base Line Profile), MJPEG |
| | Resolutions | 1920x1080/1280x1024/1280x960/1280x720/1024x768/640x480/320x240 |
| | Frame Rate | 30fps @ All Resolution |
| | Video Streaming | Simultaneously H.264 and MJPEG, Independent Frame Rate and Bandwidth Control, VBR/CBR Mode |
| | Video Quality | H.264: Bitrate Control / MJPEG: Quality Level Control |
| Software | Client Software | Built-in Web, Onvif Compatible 3rd Party VMS |
| Web Browser | OS / Manager / Viewer | OS: Windows7,8,10, MAC / Manager: Internet Explorer 11 or higher, Chrome, Firefox, Safari, Opera |
| Event | In / Out | In: Trigger / Network Loss / Tampering / Motion, Out: FTP |
| System | OS | Embedded Linux |
| Physical Spec | Dimension | 19Ø (Bullet Diameter) x 69.7(L) |
| | Lens | 12.0mm (Options are Available) |
| | Mount | Optional Ring Mount |

* Specification and Design are subject to change without notice due to product improvement.



Infinite Pixels Electronic USA Inc.
11500 S. Eastern Ave. Suite 150 Henderson NV 89052

www.ipxusa.com sales@ipxusa.com