

Parallel / CVBS

ATC-HZ5510C-PC

FHD 1.58MP High Resolution
 10x Global Shutter Zoom Camera



features

- 1/2.9" Progressive Scan Global Shutter CMOS
- 120x AF Zoom
(10x optical zoom, 12x digital zoom)
- 1080p 60/50/30/25fps
- Mechanical Day&Night
- True WDR
- 3D DNR, Defog
- UART RS232-TTL (Pelco-D, Pelco C, VISCA, Hitachi)

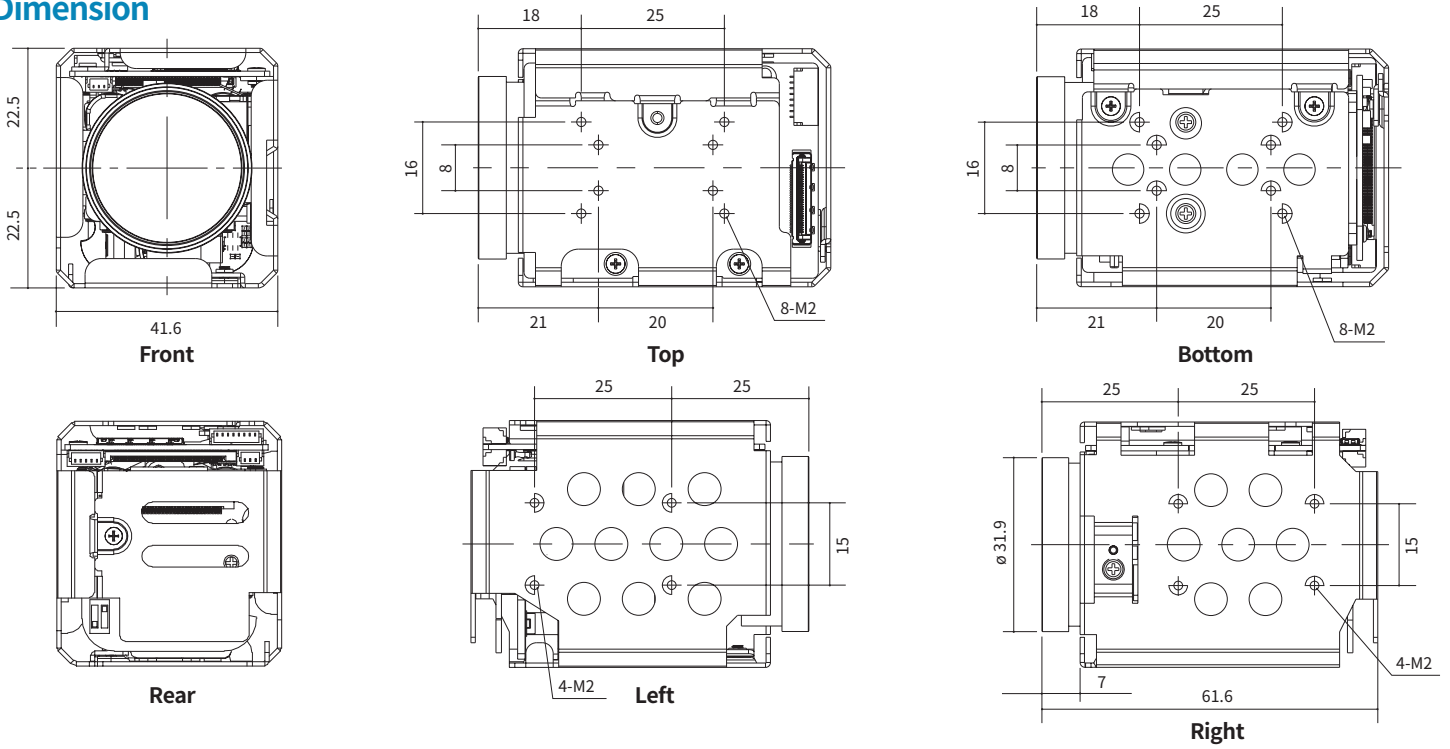
1/2.9"	60/50fps FHD	10x AF
CMOS	1080p	ZOOM
DNR	MOTION	Global Shutter

Specifications

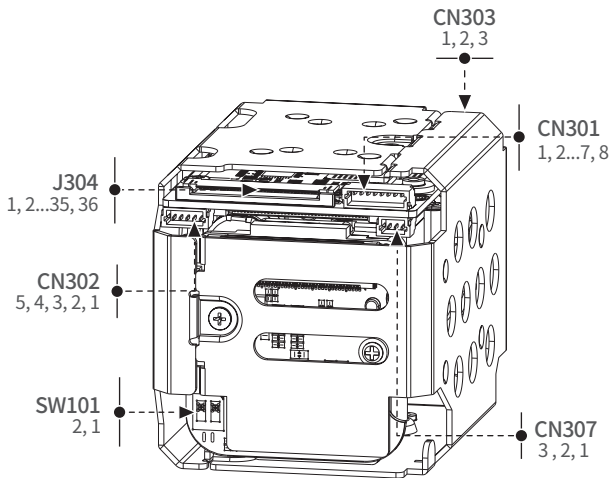
Image Sensor		1/2.9" Progressive Scan Global Shutter CMOS
Effective Pixels		1.58MP 1456(H) x 1088(V)
Video Output Mode	Common	Parallel / CVBS
Max. Video Resolution		Parallel :1080p@60(50fps)
Synchronization system		Internal / External Option
Min.Illumination		Day mode: 0.1Lux(F1.7) Night mode: 0.08Lux(F1.7/ IR-cut filter on) Sens-Up off, AGC45dB
S/N Rate		More than 55dB(AGC off, Sens-Up off)
Type		AF Optical zoom lens(DC Iris), IR Corrective
Lens	Focal Length	f=5.6mm~43.7mm
	F-value	F1.7(W)~1.9(T)
Angle of View		Horizontal 50.19°(W)~6.43°(T), Vertical 37.97°(W)~4.86°(T)
Zoom ratio		Optical 10x / Digital 12x
Focus Min.Working Distance		0.2m(Wide)/1.0m(Tele)~∞
Focus Control		Auto/Manual/Interval/One Push/Preset
AE Mode		Auto/Shutter Priority/Iris Priority/ AGC Priority/Manual
Brightness		0~14
Manual Shutter		1/1, 1/2, 1/4(3), 1/8(6), 1/15(12), 1/30(25), 1/60(50)~1/10000
Manual Iris		F1.6~F32, Close
Sense-up		Off ~32fields
ETC		Spot AE, Slow AE
D&N Mode		Auto/Day(Color)/Night(BW)/External-H or L
White Balance		AUTO/ATW/Indoor/Outdoor/One Push/Manual
Image Freeze		Off /On
Image Flip		Off /Horizontal/Vertical/H+V(180° Flip)
Privacy Mask Zone		8 Zones/14 mask color selectable

Digital Image Stabilization	Yes	
Motion Detection	4 Zones	
D-WDR	Off /Low/Middle/High	
WDR	Off /On, Adjustable (Level:0~29, Contrast:0~5, Bright:0~19)	
BLC	Off /On, Area selectable	
HLC	Off /On, Area selectable	
AGC	Max.48dB, d2x ~ d9X	
Sharpness	Adjustable(0~15)	
3D-DNR	Off /Auto/Low/Middle/High	
2D-DNR	Off /Auto/Low/Middle/High	
Defog	Off /On/Auto	
Preset	256 position Presets(Zoom,Focus), 16Memory Presets, Custom Preset	
Language	English	
UART	Remote	RS232 TTL +5.0V(+3.3V compatible)
	Protocol	VISCA/Pelco-D/Pelco-P/ Hitachi: Automatic detection
	Baud rate	2400/4800/9600/19200/38400/57600/115200bps
Supply Voltage	12VDC(9V to 15VDC)	
Power Consumption	Max.6.0W / Non-working zoom&focus 3.9W	
Dimension(mm)	41.6x45x61.6mm	
Weight	Approx.124g	
Operating Temperature	-10°C~+50°C, Humidity(Less than 90%)	
Storage Temperature	-20°C~+60°C, Humidity(Less than 90%)	
Remark		

Dimension



Pin Assignment



SW101 is fixed the sensor slave (Switch 1: OFF, Switch 2: ON)
It cannot be operated when using the other settings.

Pin no.	CN301(External I/O) / JST: SM08B-SRSS-TB
1	Vsync_OUT
2	Hsync_OUT
3	VCLK_OUT
4	GND
5	Vsync_IN
6	Hsync_IN
7	VCLK_IN
8	GND

Pin no.	CN302(CVBS) / JST: SM05B-SRSS-TB
1	POWER IN : +12VDC
2	GND
3	CVBS Output
4	AD_KEY
5	GND

Pin no.	CN303(External D&N) / JST: SM03B-SRSS-TB
1	Ext_D&N : External D&N Input
2	GND
3	+3.3V Out(For sensor)

Pin no.	CN307(RS-232 TTL) / JST: SM03B-SRSS-TB
1	GND
2	RXD : CMOS 3.3V Read Data
3	TXD : CMOS 3.3V Send Data

Pin no.	J304(FFC Connector) / Hirose : FH12-36S-05SH(55)
1	GND
2	Y_OUT[0]
3	Y_OUT[1]
4	Y_OUT[2]
5	Y_OUT[3]
6	GND
7	Y_OUT[4]
8	Y_OUT[5]
9	Y_OUT[6]
10	Y_OUT[7]
11	GND
12	C_OUT[0]
13	C_OUT[1]
14	C_OUT[2]
15	C_OUT[3]
16	GND
17	C_OUT[4]
18	C_OUT[5]
19	C_OUT[6]
20	C_OUT[7]
21	GND
22	VSYNC
23	HSYNC
24	GND
25	VCLK_OUT
26	GND
27	GND
28	GND
29	GND
30	GND
31	POWER IN : +12VDC
32	POWER IN : +12VDC
33	POWER IN : +12VDC
34	GND
35	TXD : CMOS 5.0V Send Data(Compatible 3.3V)
36	RXD : CMOS 5.0V Read Data(Compatible 3.3V)