

LVDS

# ATC-HZ5510C-L

FHD 1.58MP High Resolution  
 10x Global Shutter Zoom Camera



## features

- 1/2.9" Progressive Scan Global Shutter CMOS
- 120x AF Zoom  
(10x optical zoom, 12x digital zoom)
- 1080p 60/50/30/25fps
- Mechanical Day&Night
- True WDR
- 3D DNR, Defog
- UART RS232-TTL (Pelco-D, Pelco C, VISCA, Hitachi)

**1/2.9"**  
**CMOS**

**60/50fps FHD**  
**1080p**

**10x AF**  
**ZOOM**

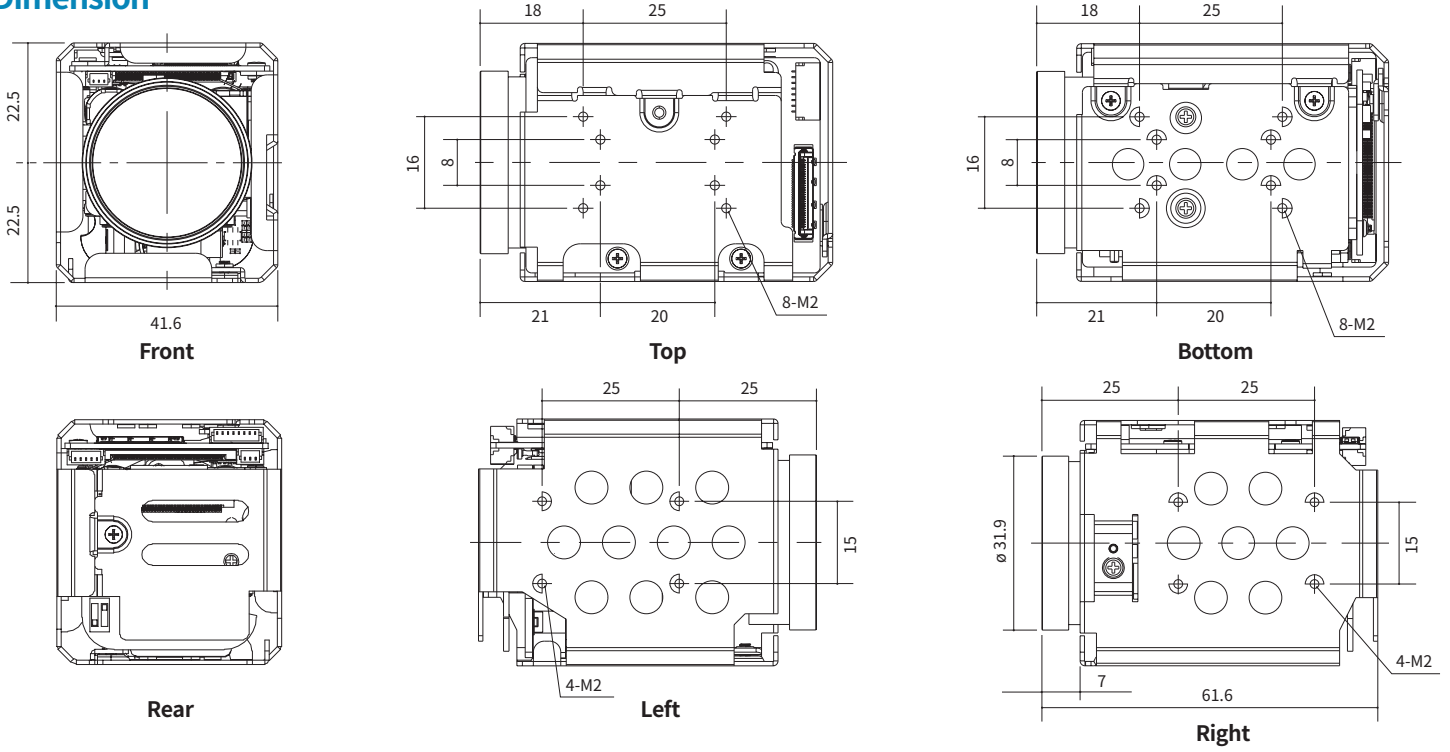


## Specifications

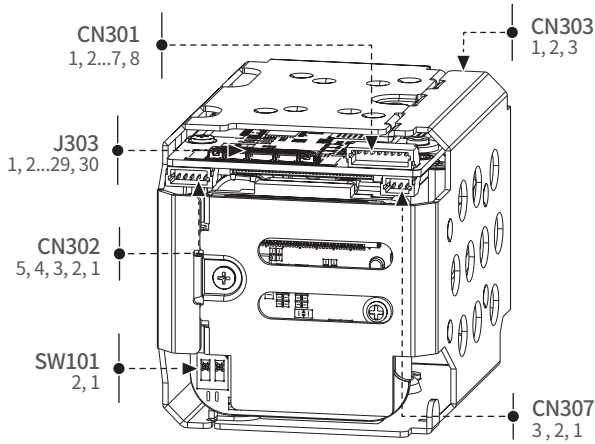
Image Sensor		1/2.9" Progressive Scan Global Shutter CMOS
Effective Pixels		1.58MP 1456(H) x 1088(V)
Video Output Mode	Common	LVDS
Max. Video Resolution		LVDS :1080p@60(50fps)
Synchronization system		Internal / External Option
Min.Illumination		Day mode: 0.1Lux(F1.7) Night mode: 0.08Lux(F1.7/ IR-cut filter on) Sens-Up off, AGC45dB
S/N Rate		More than 55dB(AGC off, Sens-Up off)
Type		AF Optical zoom lens(DC Iris), IR Corrective
Lens	Focal Length	f=5.6mm~43.7mm
	F-value	F1.7(W)~1.9(T)
Angle of View		Horizontal 50.19°(W)~6.43°(T), Vertical 37.97°(W)~4.86°(T)
Zoom ratio		Optical 10x / Digital 12x
Focus Min.Working Distance		0.2m(Wide)/1.0m(Tele)~∞
Focus Control		Auto/Manual/Interval/One Push/Preset
AE Mode		Auto/Shutter Priority/Iris Priority/ AGC Priority/Manual
Brightness		0~14
Manual Shutter		1/1, 1/2, 1/4(3), 1/8(6), 1/15(12), 1/30(25), 1/60(50)~1/10000
Manual Iris		F1.6~F32, Close
Sense-up		Off ~32fields
ETC		Spot AE, Slow AE
D&N Mode		Auto/Day(Color)/Night(BW)/External-H or L
White Balance		AUTO/ATW/Indoor/Outdoor/One Push/Manual
Image Freeze		Off /On
Image Flip		Off /Horizontal/Vertical/H+V(180° Flip)
Privacy Mask Zone		8 Zones/14 mask color selectable

Digital Image Stabilization	Yes	
Motion Detection	4 Zones	
D-WDR	Off /Low/Middle/High	
WDR	Off /On, Adjustable (Level:0~29, Contrast:0~5, Bright:0~19)	
BLC	Off /On, Area selectable	
HLC	Off /On, Area selectable	
AGC	Max.48dB, d2x ~ d9X	
Sharpness	Adjustable(0~15)	
3D-DNR	Off /Auto/Low/Middle/High	
2D-DNR	Off /Auto/Low/Middle/High	
Defog	Off /On/Auto	
Preset	256 position Presets(Zoom,Focus), 16Memory Presets, Custom Preset	
Language	English	
UART	Remote	RS232 TTL +5.0V(+3.3V compatible)
	Protocol	VISCA/Pelco-D/Pelco-P/ Hitachi: Automatic detection
	Baud rate	2400/4800/9600/19200/38400/57600/115200bps
Supply Voltage	12VDC(9V to 15VDC)	
Power Consumption	Max.4.7W / Non-working zoom&focus 3.0W	
Dimension(mm)	41.6x45x61.6mm	
Weight	Approx.124g	
Operating Temperature	-10°C~+50°C, Humidity(Less than 90%)	
Storage Temperature	-20°C~+60°C, Humidity(Less than 90%)	
Remark		

## Dimension



## Pin Assignment



SW101 is fixed the sensor slave (Switch 1: OFF, Switch 2: ON)  
It cannot be operated when using the other settings.

Pin no.	CN301(External I/O) / JST: SM08B-SRSS-TB
1	Vsync_OUT
2	Hsync_OUT
3	VCLK_OUT
4	GND
5	Vsync_IN
6	Hsync_IN
7	VCLK_IN
8	GND

Pin no.	CN302 (External I/O) / JST: SM05B-SRSS-TB
1	Trigger_Common
2	Trigger_IN
3	Strobe_Common
4	Strobe_OUT
5	GND

Pin no.	CN303(External D&N) / JST: SM03B-SRSS-TB
1	Ext_D&N : External D&N Input
2	GND
3	+3.3V Out(For sensor)

Pin no.	CN307(RS-232 TTL) / JST: SM03B-SRSS-TB
1	GND
2	RXD : CMOS 3.3V Read Data
3	TXD : CMOS 3.3V Send Data

Pin no.	J303(Micro Co-Axial) / KEL Co.USL00-30L-C
1	TX_OUT3+
2	TX_OUT3-
3	TX_CLKOUT+
4	TX_CLKOUT-
5	TX_OUT2+
6	TX_OUT2-
7	TX_OUT1+
8	TX_OUT1-
9	TX_OUT0+
10	TX_OUT0-
11	GND
12	TXD : CMOS 5.0V Send Data(Compatible 3.3V)
13	RXD : CMOS 5.0V Read Data(Compatible 3.3V)
14	+12VDC
15	+12VDC
16	+12VDC
17	+12VDC
18	+12VDC
19	GND
20	GND
21	TX_OUT7+ : Single out mode (open)
22	TX_OUT7- : Single out mode(open)
23	TX_OUT6+ : Single out mode(open)
24	TX_OUT6- : Single out mode(open)
25	CVBS Output
26	RESET_IN : Reset - Low(GND), Normal(1.8V)
27	TX_OUT5+ : Single out mode(open)
28	TX_OUT5- : Single out mode(open)
29	TX_OUT4+ : Single out mode(open)
30	TX_OUT4- : Single out mode(open)