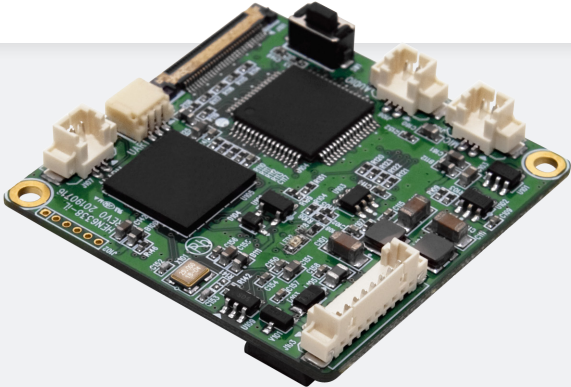


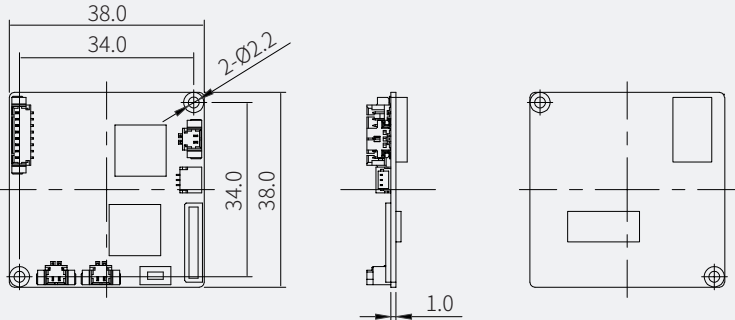
IP ENCODER MODULE

ACE-HEN6338-iL

- Low Voltage LVDS Input
- 1080p(1920x1080)@30(25)fps
- H.264 Main/Baseline Profiles
- 12VDC / PoE
- 2 seconds boot-up complete



Dimensions



ACE-HEN6338-iL

Specifications

Video Output	Network
Motion Detection	60x34 Motion Block, upto 4 Zones
Privacy Masking Zone	16 Zones
Alarm	Alarm In/Out Alarm riggers Alarm Events
	1Ch Out Motion Network
Ethernet	10/100 Base-T Ethernet
Video Compression Format	H.264 Baseline, Main Profile, MJPEG
Video Resolution	1920x1080, 1280x720,, 800x600, 704x480, 704x400, 640x480, 640x360, 320x240
Max. Frame Rate	First : 1080p 30(25)fps (H.264) Second : 640x360 30(25)fps (H.264) Third : 1080p 30(25)fps (MJPEG)
Streaming Capability	Multiple Streaming(Up to 3 Profiles)
Streaming Method	Unicast
Bitrate Control	H.264 : CBR, VBR, CVBR
Max.User Access	5
Audio	Audio in/Out Compression Format
	Mic In (Conn.), Additional Audio In/Out (selectable) G.711
IP	IPv4
Protocol	HTTP, HTTPS, UPnP, DNS, DDNS, RTP/RTSP, TCP/IP, UDP, DHCP, RARP, NTP, Visca over IP (HTTP)
Security	-
Web Viewer	Web browser Language
	Internet Explorer, Edge, Safari, Firefox, Chrome English
External Storage	-
SW Integration API	Onvif
Ingress Protection Grade	-
Dimension(mm)	38X38mm
Weight	Approx.7.65g
Operating Temperature	-10°C~+50°C
Storage Temperature	-20°C~+60°C
Supply Voltage	12VDC(±10%)
Power Consumption	N/A (under 170mA estimated)