

# IPXSP-202

## 2MP HD-SDI 20X OPTICAL ZOOM PTZ



IPXSP-202W

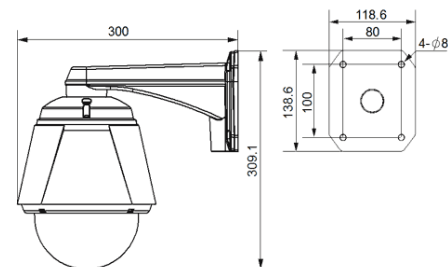
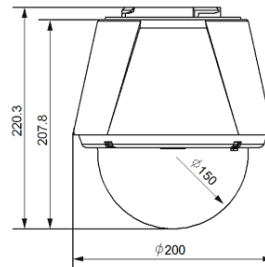


IPXSP-202C

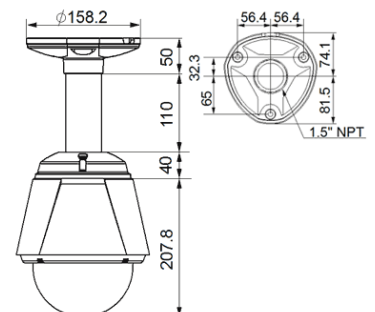
### Features

- 2.0 Mega-Pixel Resolution PTZ
- ×160 Zoom Control (Optical ×20 / Digital ×8)
- True Day & Night with ICR (IR Cut Filter)
- NR (Noise Reduction) / Image Stabilization Function
- Minimum Illuminance (1.5 Lux at Color / 0.1 Lux at B/W)
- Super Speed (500°/SEC.) with 360° Endless Pan Rotation
- The Shortest Path with Vector Drive Technology
- Micro Control (0.05°/SEC.) with Micro Stepping Control Technology
- Super Video Quality with RAW Video Data
- HD-SDI Standard Support (HDcctv™ V1.0 / 1.485Gb/s / SMPTE 292M)
- Simultaneous HD-SDI & Composite Output
- OSD(On-Screen Display) Menu with Password Function
- 8 Privacy Masks with Spherical Coordinates
- 8 Sets of Scheduler Function with RTC(Real Time Clock)
- 255 Presets (46 Presets reserved for Hot Keys) / 10 Swings / 4 Patterns / 8 Groups
- Frame Freeze Function
- Dual Power Input (AC 24V or DC 12V)
- Vandalproof / Weatherproof with Built-in Fan & Heater
- Waterproof (IP 67)

### Dimension



IPXSP-202W



IPXSP-202C

# IPXSP-202

## Specification

Image Sensor	1/3" PS CMOS Sensor
Pixels	2,000K Pixels
Zoom	Optical ×20 & Digital ×8
Video Signal-to-Noise	50 dB
Focal Length	F1.6~2.9, f=4.45~89 mm
Angle of View	H : 55.56°(Wide) ~ 3.10°(Tele) / V : 43.32°(Wide) ~ 2.34°(Tele)
Min. Working Distance	1,000 mm
Zoom Speed	3.3 SEC. (Wide to Tele)
Minimum Illuminance	1.5 Lux (Color, F1.6, 50 IRE) / 0. 1Lux (B/W, F1.6,50 IRE)
Day & Night	Auto / Day / Night (ICR)
Focus	Auto / Manual / Semi-Auto
White Balance	Auto / Manual (Red, Blue Gain Adjustable)
Iris	Auto / Manual
Gain	OFF / Low / Middle / High / Manual
Shutter Speed	Auto / Manual(x60~1/33,000) / A.FLK
BLC	OFF / BLC / HLC
SSNR	Low / Middle / High / OFF
Sens-Up	OFF / Auto (x2 ~ x60)
Brightness	1 ~ 100
Sharpness	1 ~ 31
Privacy Zone	8 Masks with Spherical Coordinate
Image Stabilization	ON / OFF
Range	Pan : 360°(Endless) / Tilt : 90°
Pan/Tilt Speed	Preset : 500° / SEC. Manual : 0.05° ~ 360° / SEC. (Zoom Proportional) Swing : 10°~180° / SEC.
Preset	255 Presets (46 Presets reserved for Hot Keys)
Pattern	4 Patterns [768 Commands(Approximate 5 Minutes) / 1 Pattern]
Swing	10 Swings
Group	8 Groups (MAX. 40 Actions with The Combination of Preset, Pattern and Swing)
Scheduler Function	8 Scheduler Functions with RTC(Real Time Clock)
Other Functions	Auto Flip, Auto Parking, Power-up Action & etc.
Output	2 x BNC (HD-SDI and CVBS)
HD-SDI Standard	HDcctv V1.0 / 1.485Gb/s / SMPTE 292M Resolution : 1080p30, 1080i60, 720p60/30
CVBS	1.0 Vp-p
Port	RS-485 for PTZ Control
Protocol	Pelco-D, Pelco-P Selectable
Sensor Input	3 Inputs, Photo-Coupler Type, DC 5V~12V
Alarm Output	1 Output, Relay Output, MAX. Load DC 24V / 1.0A or AC 125V / 0.5A
Dimension	Dome : Ø150mm / Ø5.9" Wall Mount : 200(Ø) × 408(H) [mm] / 7.87"(Ø) × 16.1"(H) Ceiling Mount : 300 × 309(H) [mm] / 11.8" × 12.2"(H)
Weight	Approximate 3.6 Kg (7.9Lbs) with Wall Mount, Approximate 3.4 Kg (7.5Lbs) with Ceiling Mount
Rated Power	Dual Power Support : DC 12V / 1.8A or AC 24V / 2.0A
Waterproof	IP 67
Fan	Always ON
Heater	Operation Start from Internal Temperature 10 °C (50°F)
Operating Temp.	-30°C ~ 50°C (-34°F ~ 122°F)